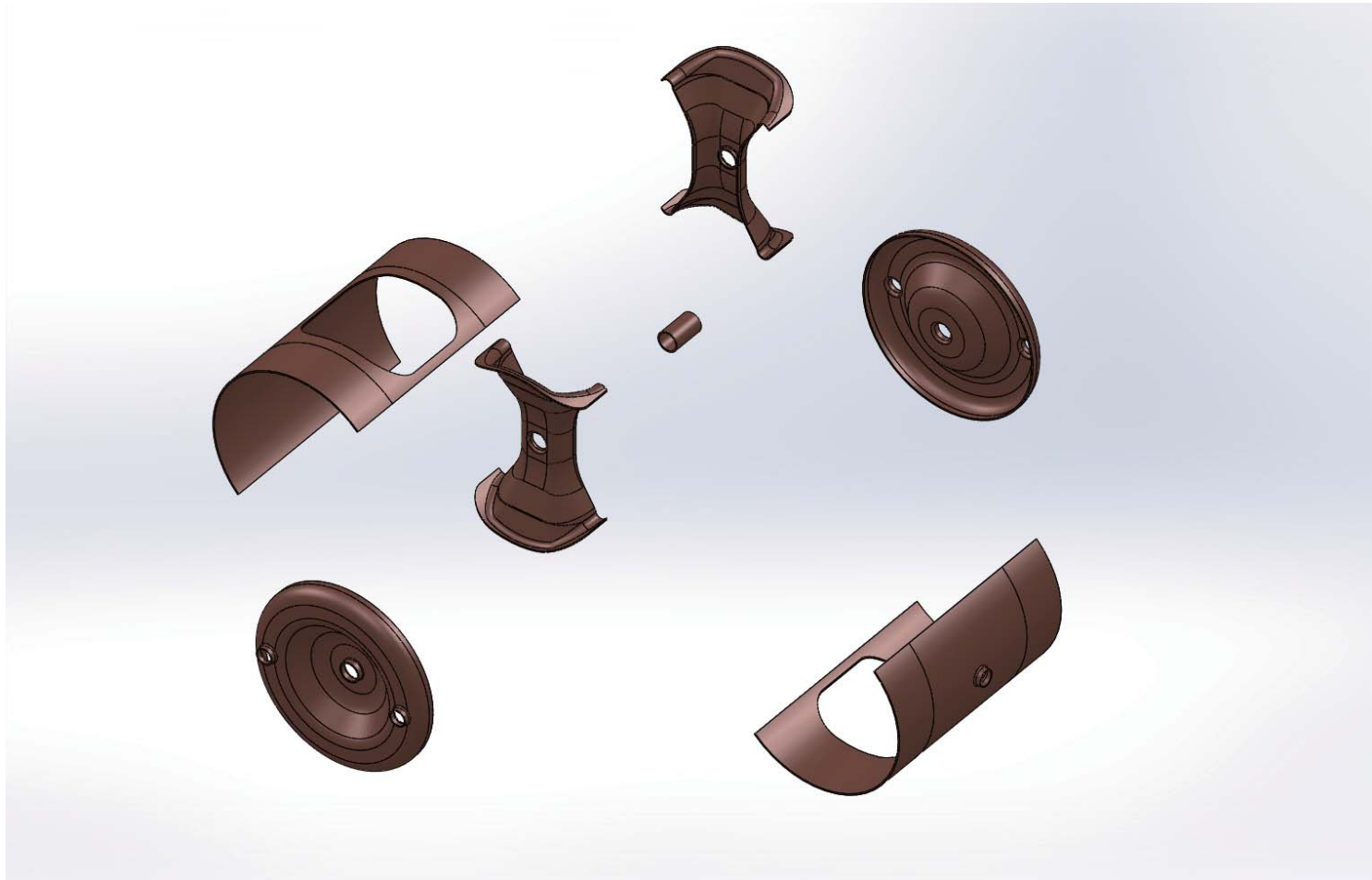


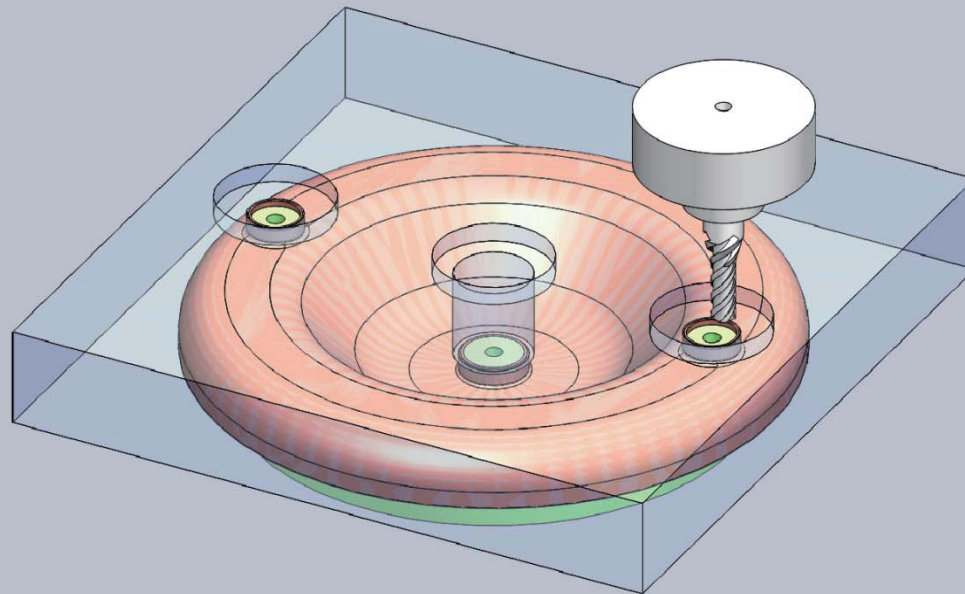
SPOKE 空洞 カット治具 及び溶接治具案

京都大学化学研究所

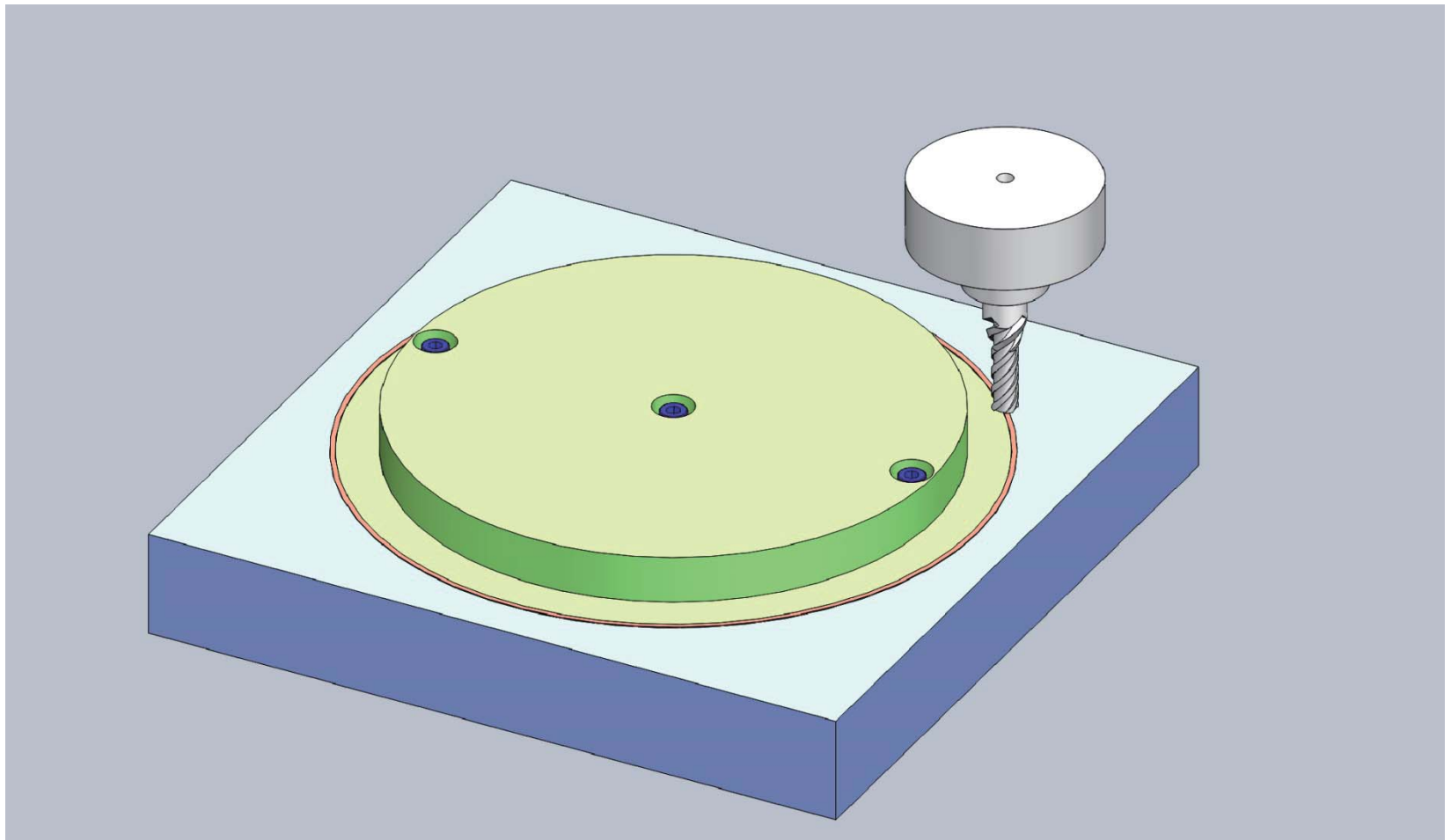
SPOKE PARTS



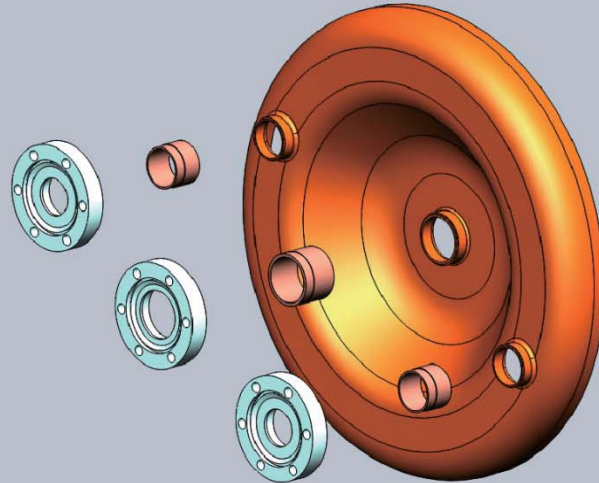
END CAP TRIM JIG



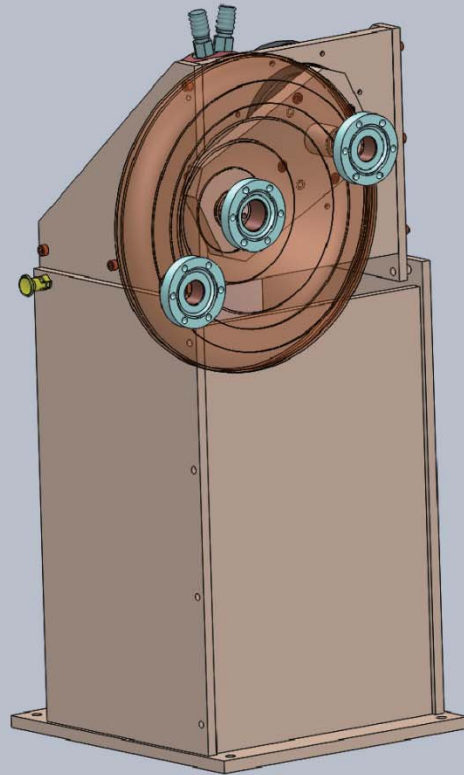
END CAP WELD LINE TRIM JIG



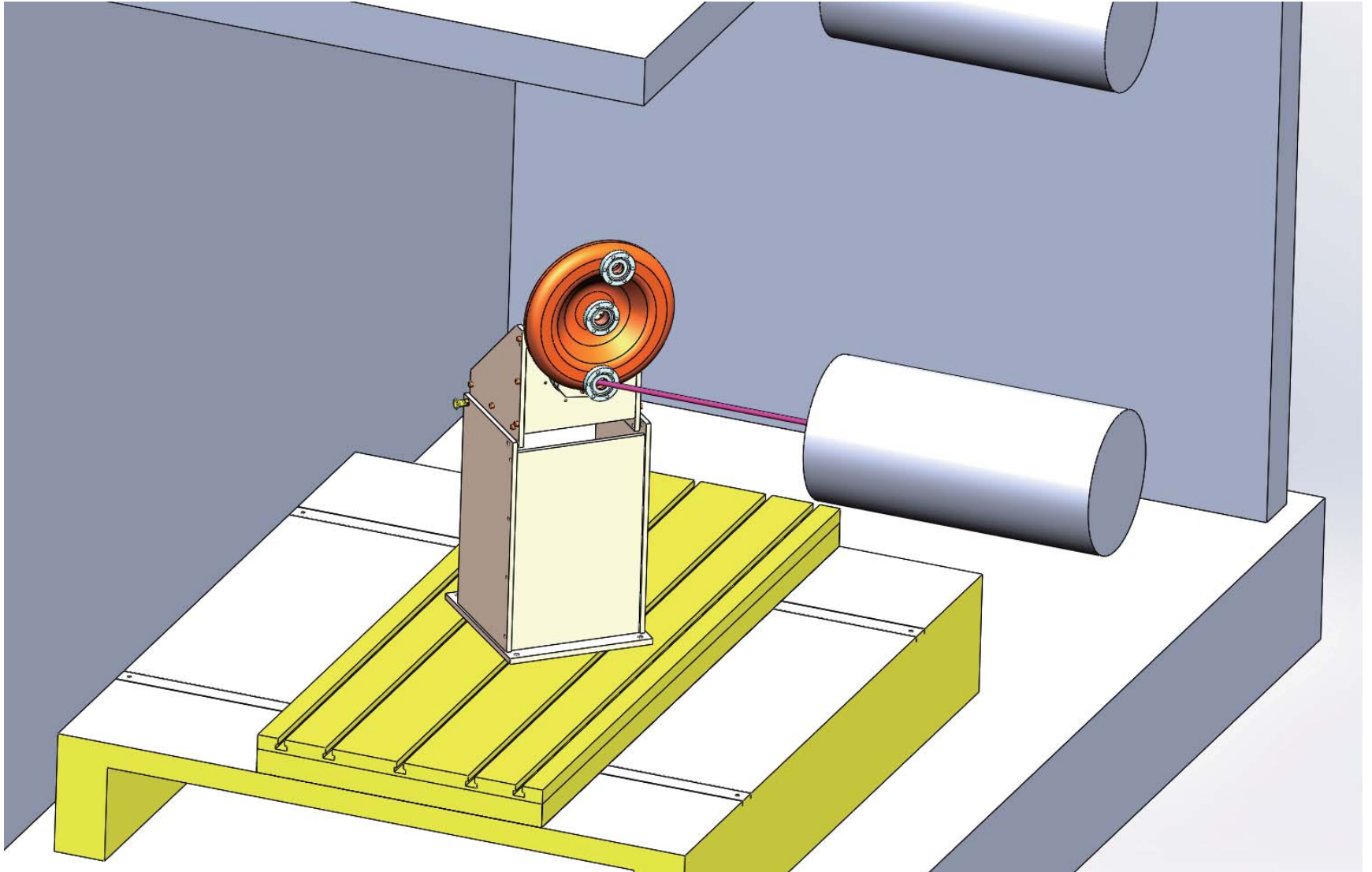
PIPE + FLANGE & END CAP



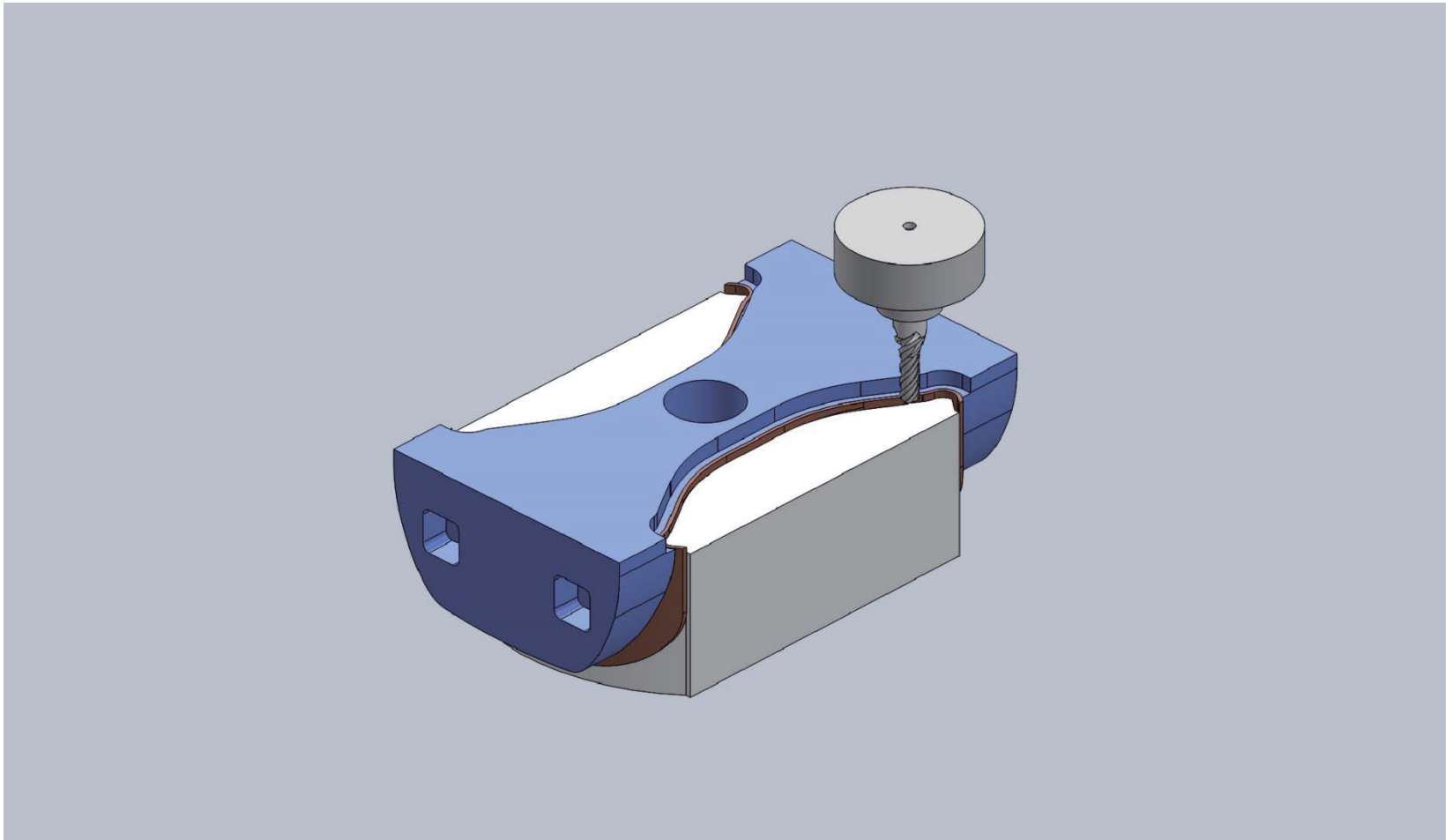
PIPE & FLANGE EBW



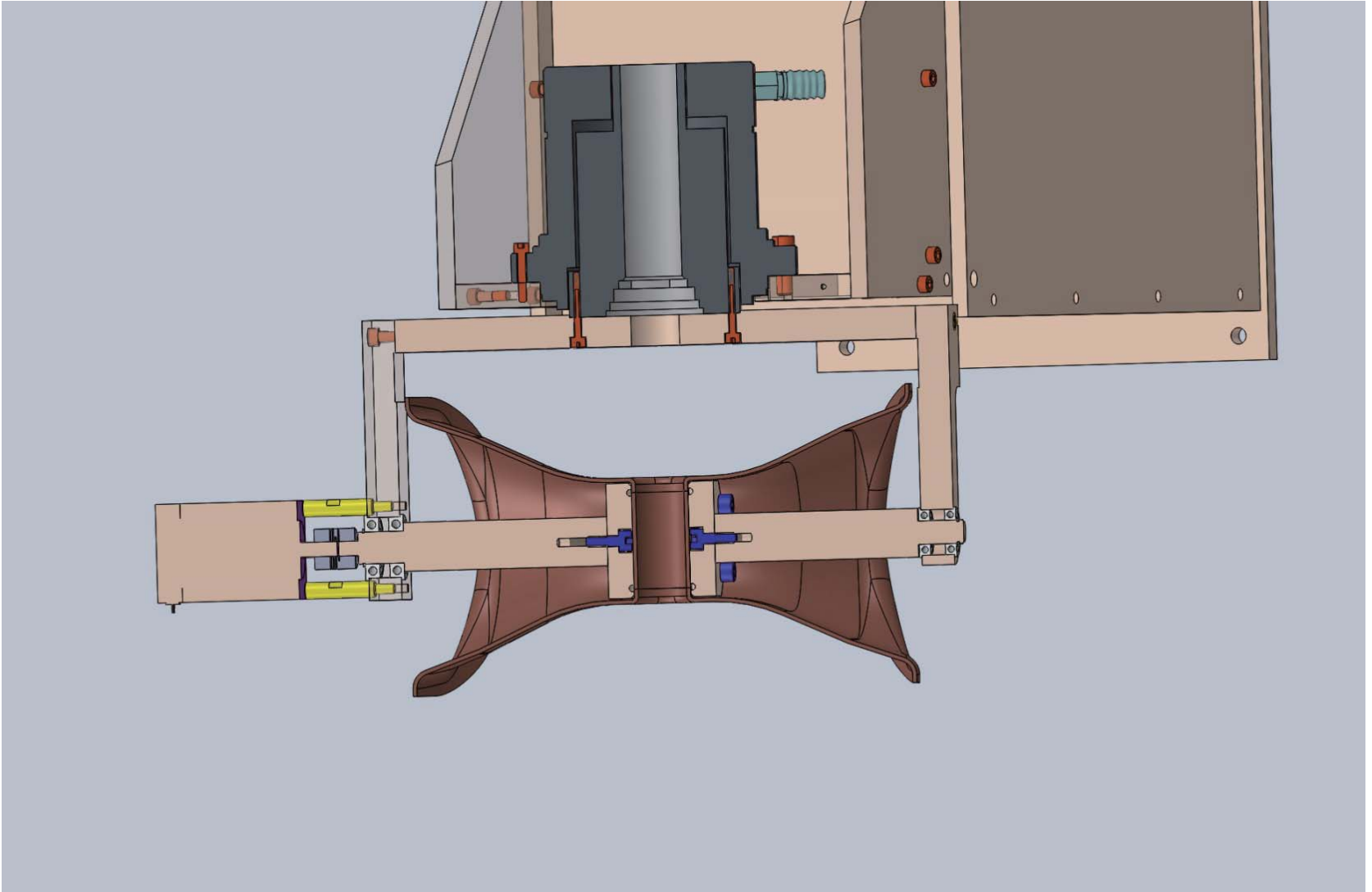
EBW ROOM IMAGE



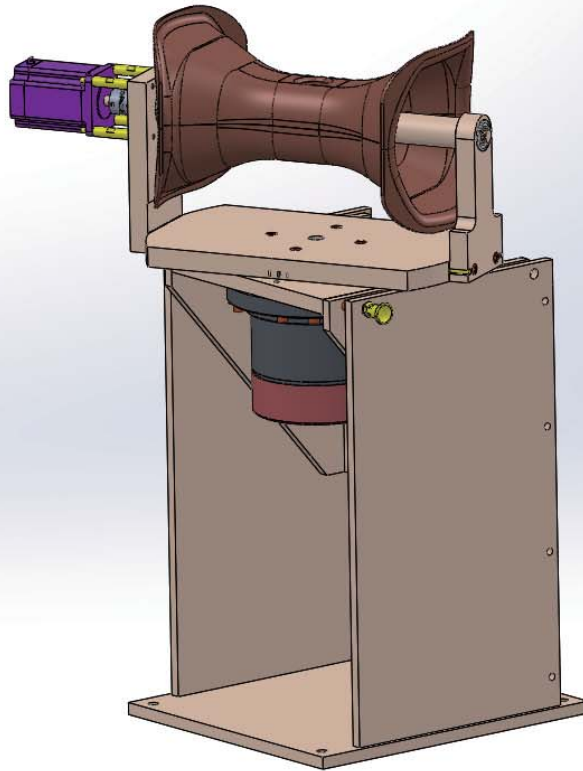
SPOKE WELD LINE TRIM JIG



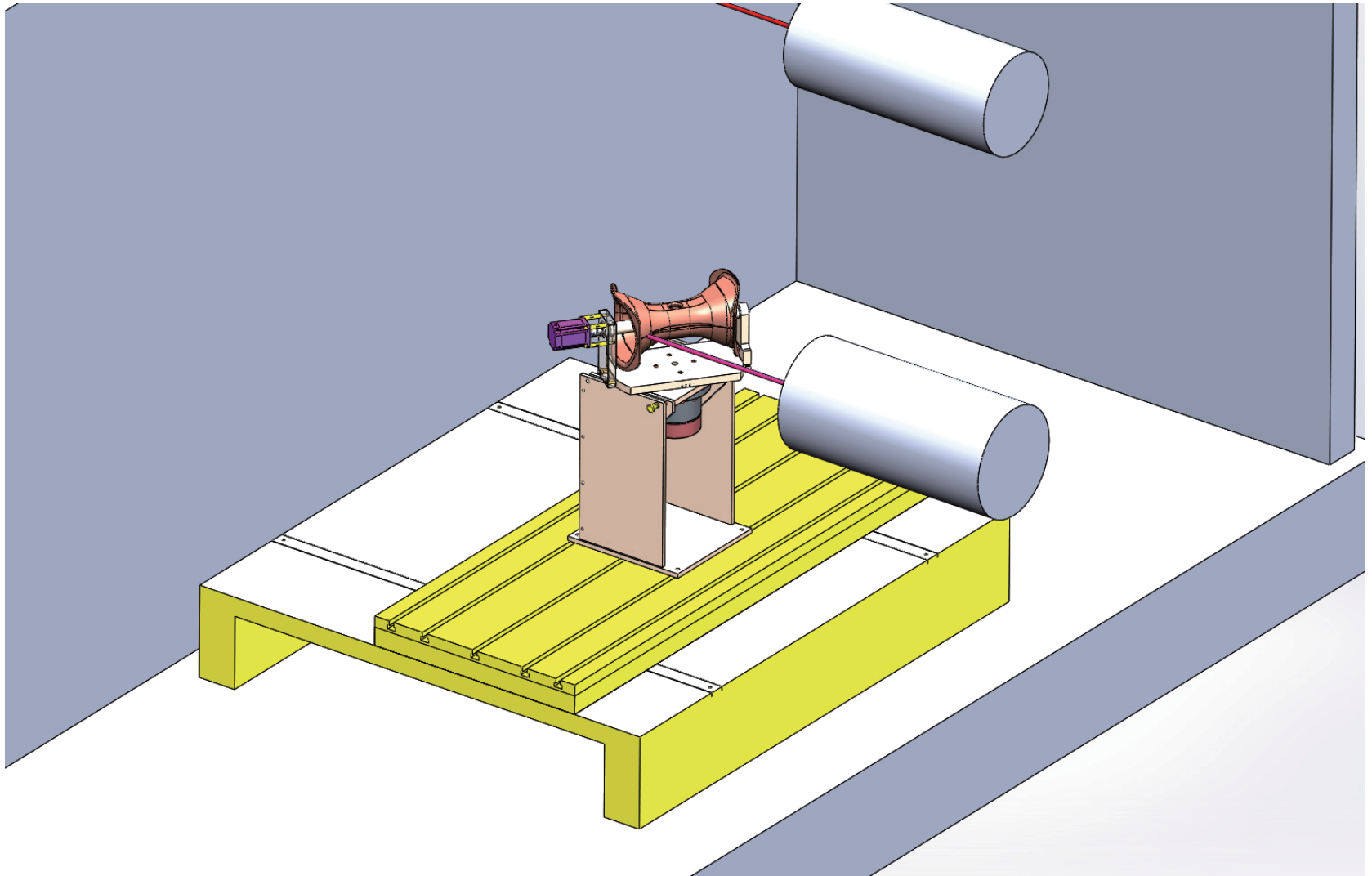
SPOKE SET IMAGE



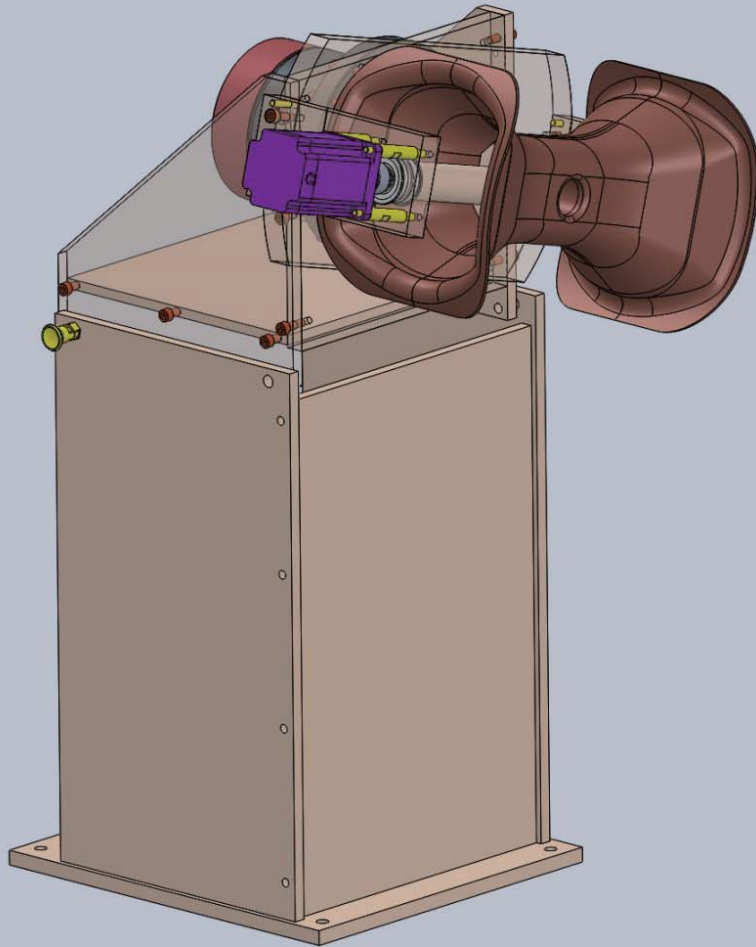
EBW SPOKE



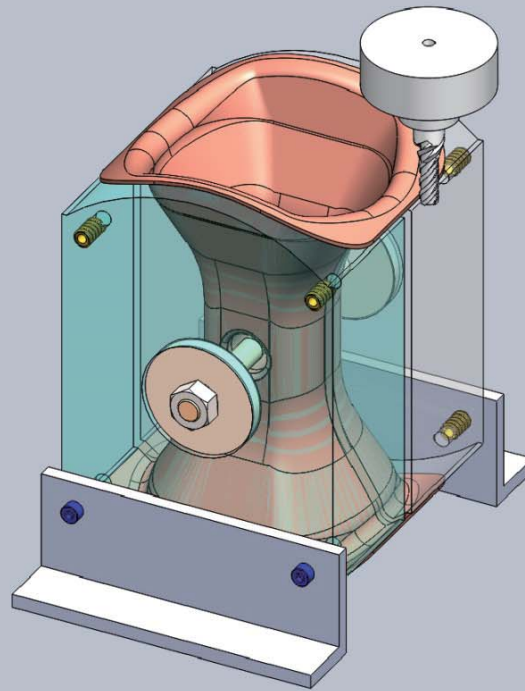
EBW IMAGE



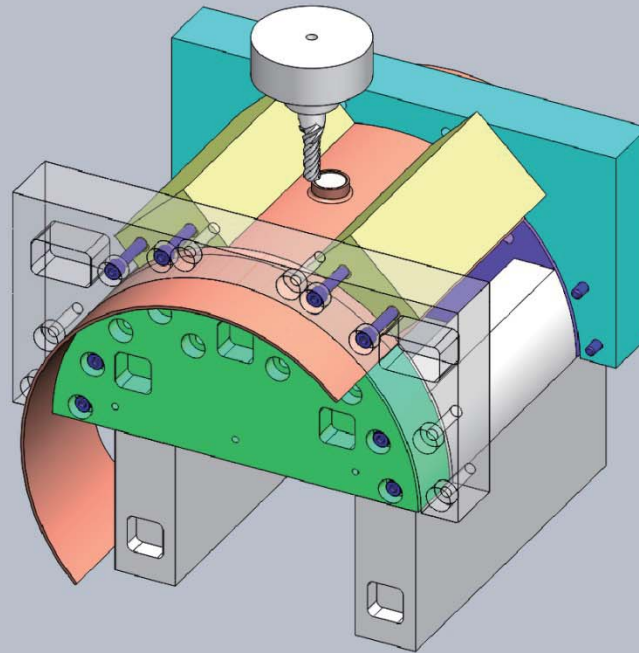
PIPE & SPOKE EBW



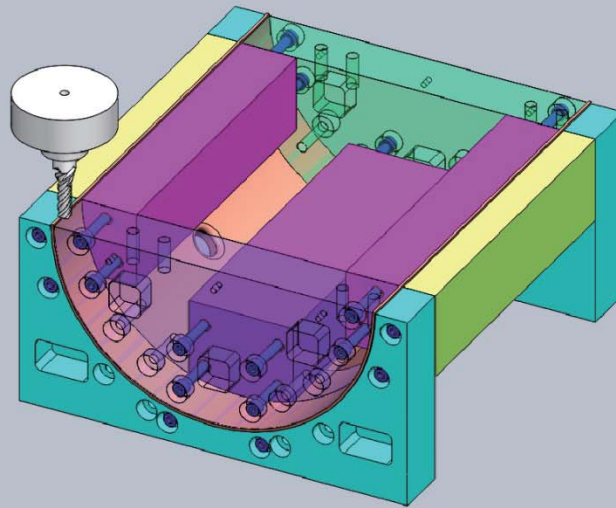
SPOKE TRIM JIG



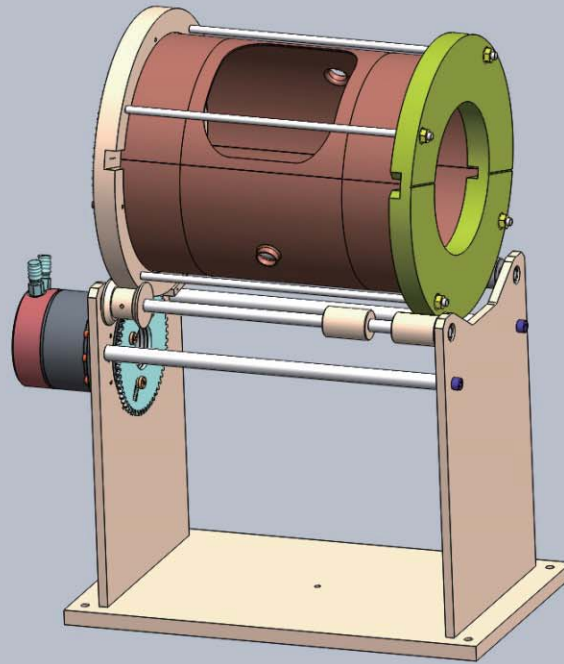
TANK PORT TRIM JIG



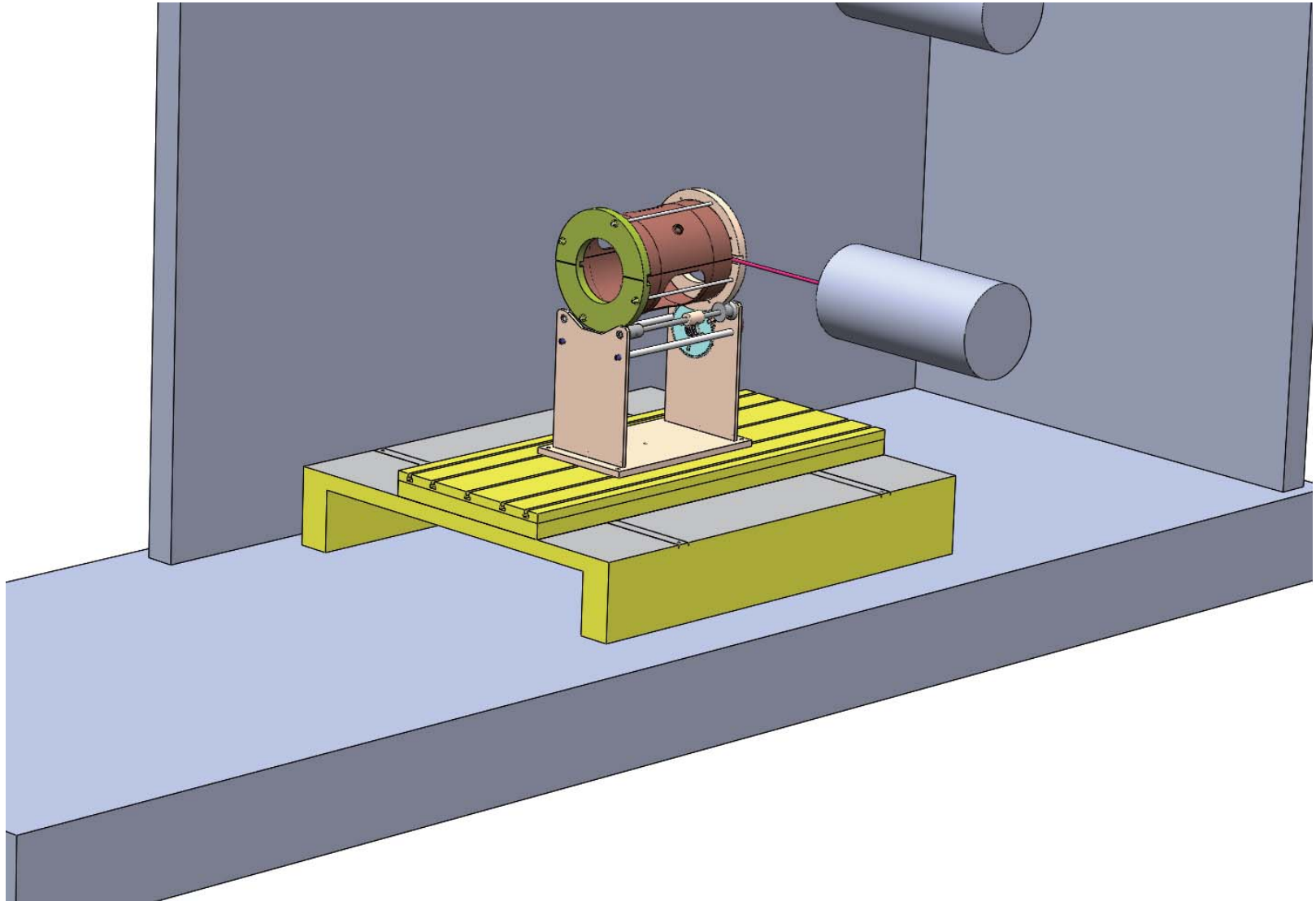
TANK SIDE WELD LINE TRIM JIG



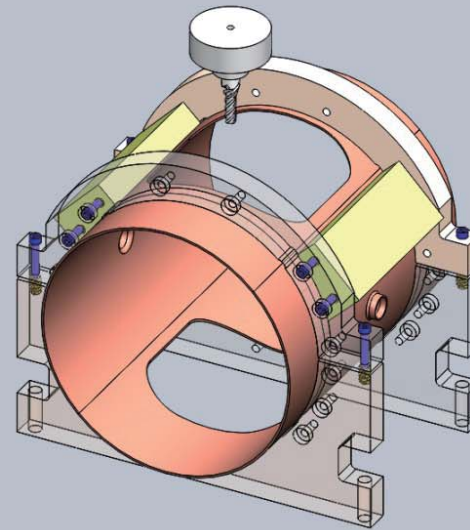
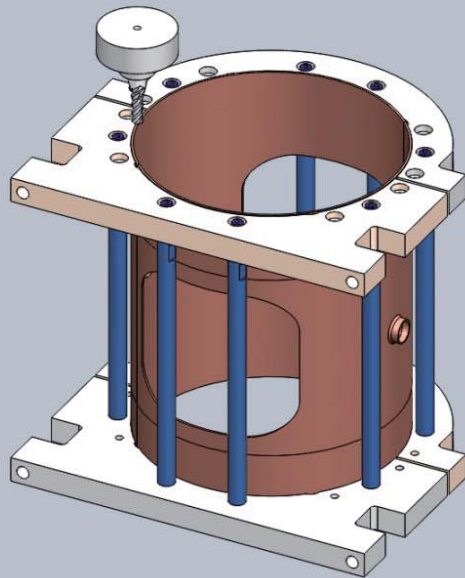
TANK SIDE EBW



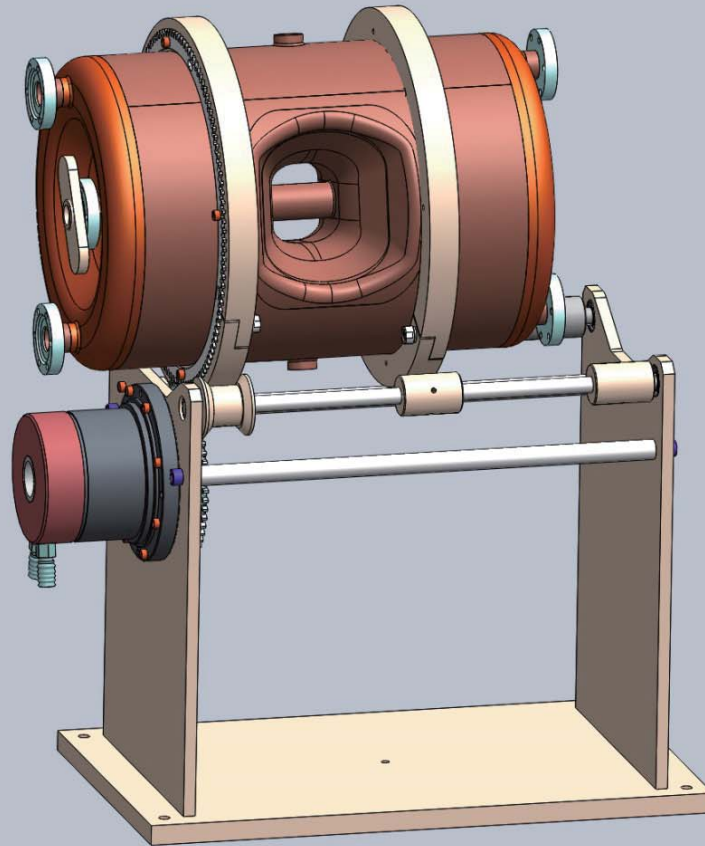
EBW IMAGE



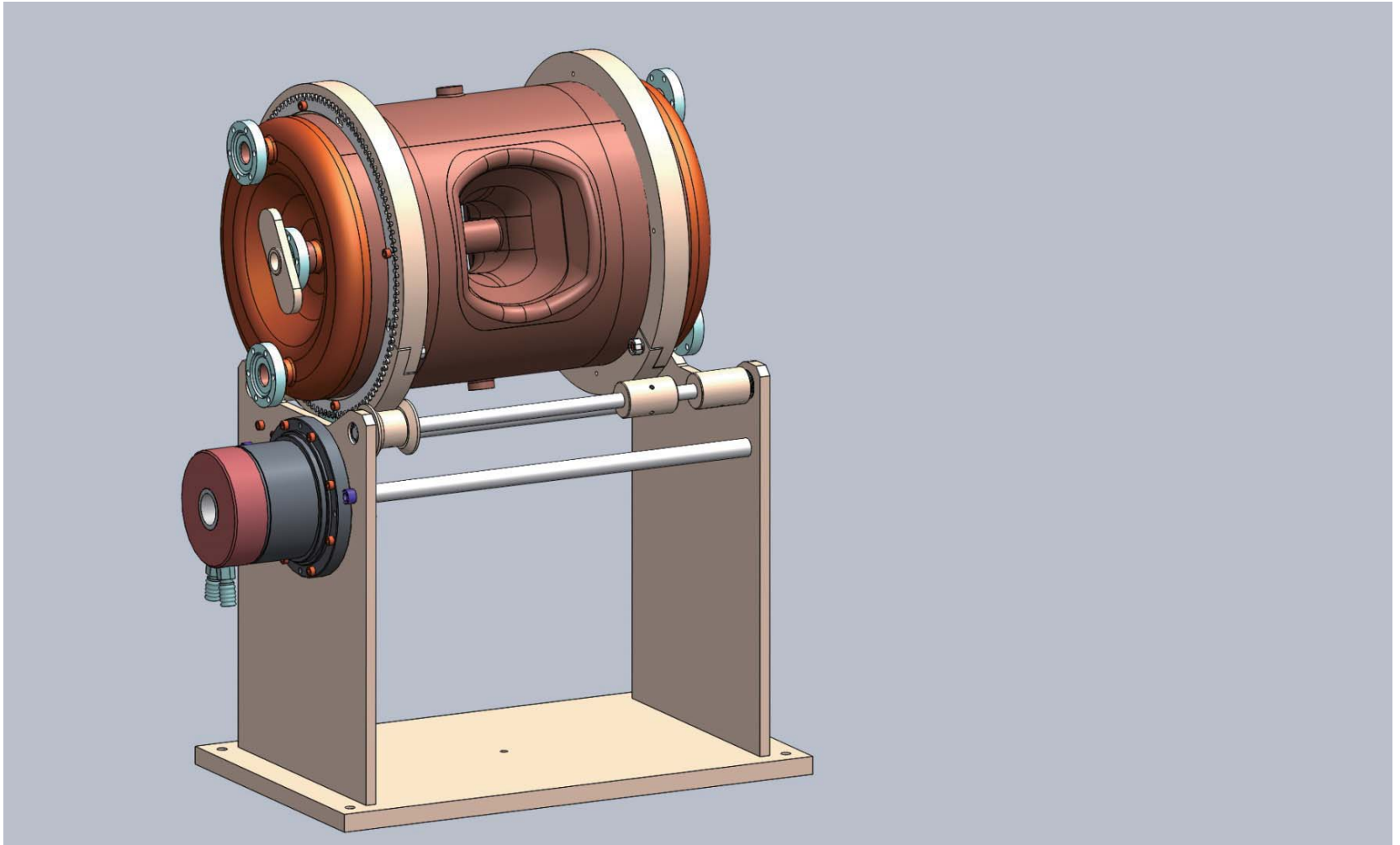
TRIM AFTER TANK SIDE EBW



SPOT WELD SOPKE & END CAP TO TANK



LINE EBW (4 LINES)



WELD 1/2TANK & FLANGE

